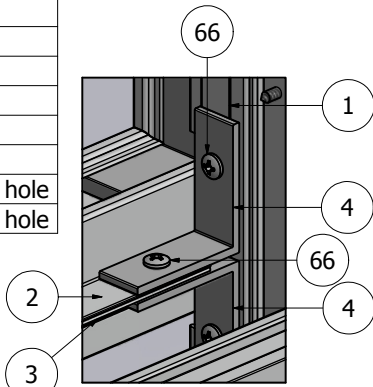
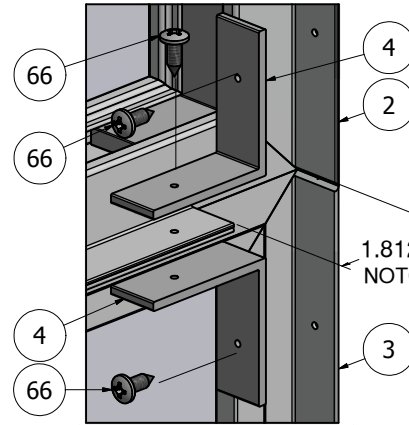


PARTS LIST			
ITEM	PART #	DESCRIPTION	NOTES
1	K1936	2Part 6in Double Face Body	Assembly
2	K1940	2Part Extended Retainer	Assembly
3	K1960/42	2Part Inner/Outer Frame	Assembly
4	5980	Header/Reader Divider Angle	
26	5290	2Part Extended Retainer Screw	Drill 1/8" pilot hole
66	5290	Combo Divider Screw	Drill 1/8" pilot hole

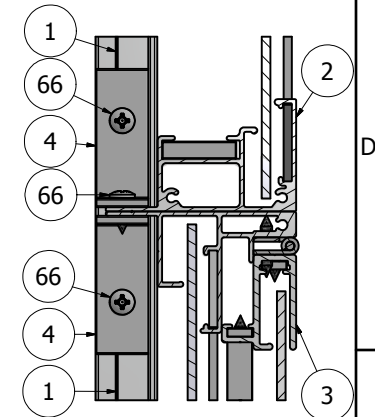
Ship To:
Sales Order#



DETAIL A
ASSEMBLED

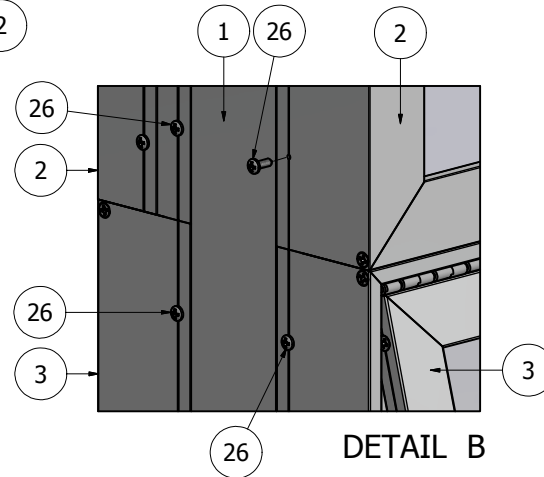
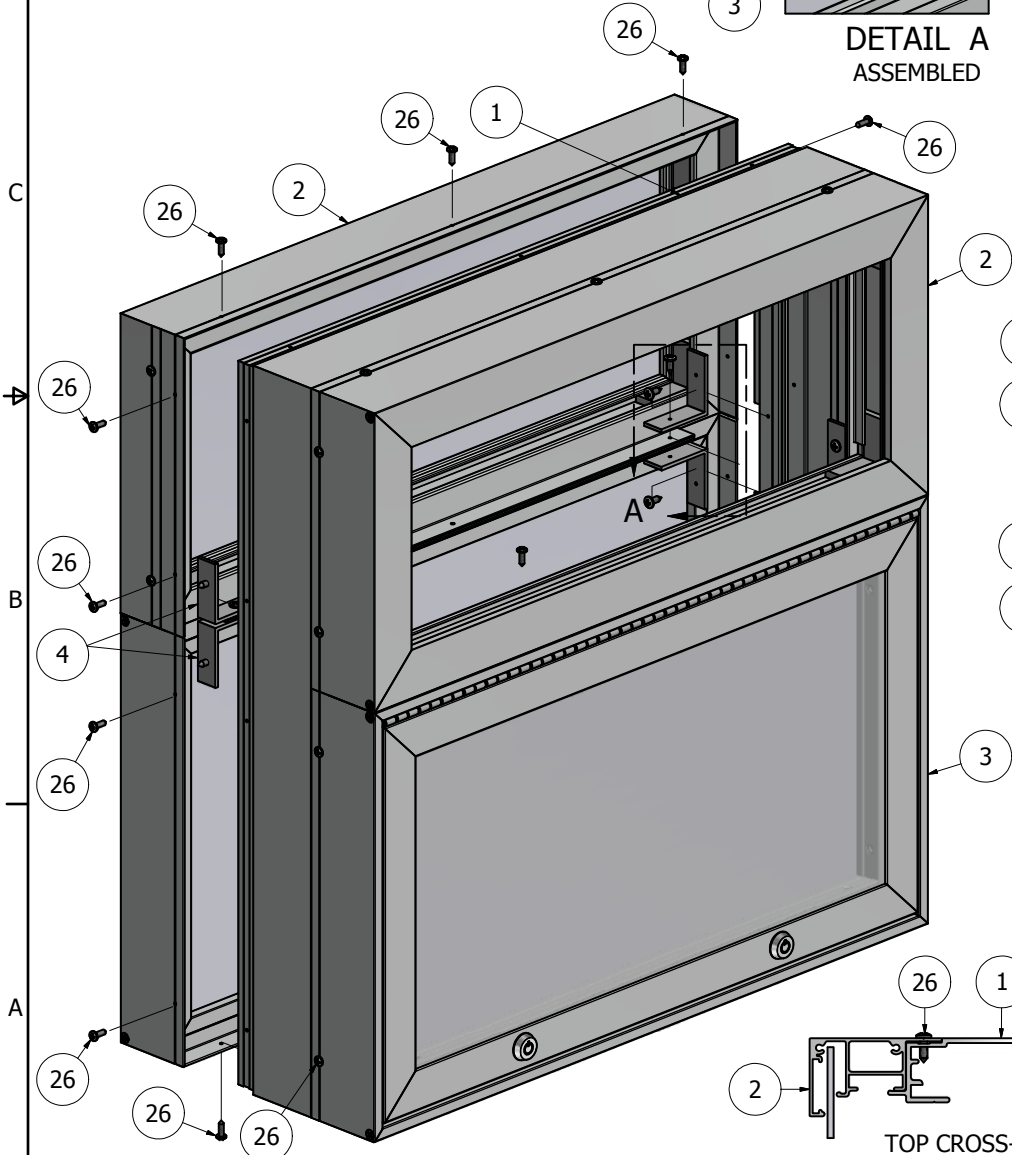


DETAIL A

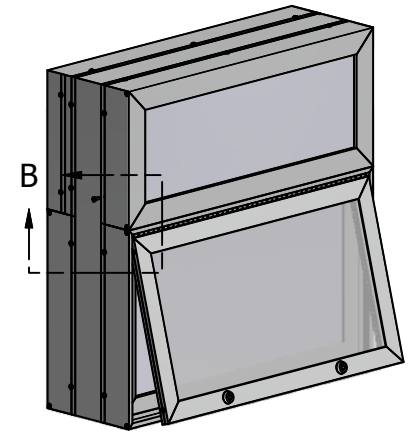


*BOTH THE EXT. FRAME AND INNER FRAME NEED TO BE NOTCHED WHERE THEY JOIN IN ORDER TO ATTACH TO THE BODY.

*ANGLES SECURE THE FRAMES ALONG THE HORIZONTALS WHERE THEY JOIN TOGETHER.



DETAIL B



NOTE: PRE-CUT KITS ARE NOT PRE-DRILLED.
(Holes shown in this drawing are for reference only. Drilling of pilot holes are to be done by fabricator.)

THIS DRAWING WAS CREATED AT NO CHARGE TO ASSIST YOU IN VISUALIZING OUR PROPOSAL. THE DRAWING HEREIN IS THE PROPERTY OF SIGNCOMP. PERMISSION TO COPY OR REVISE THIS DRAWING OR TO USE THIS DRAWING FOR PRODUCTION IS STRICTLY PROHIBITED AND CAN ONLY BE COPIED, REVISED OR USED FOR PRODUCTION WITH THE EXPRESSED WRITTEN PERMISSION OF SIGNCOMP.

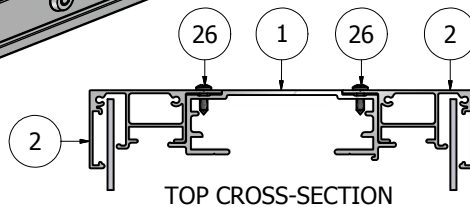
DRAWING BY:	SBreihof	12/9/2013
Centroid X:	0.000 in	
Centroid Y:	0.000 in	
Principal Moments Ix:	0.000 in ⁴	
Principal Moments Iy:	0.000 in ⁴	
Section Modulus Ix:	0.000 in ³	
Section Modulus Iy:	0.000 in ³	

SignComp

TITLE
2Part 6in Double Face Body w/ 2Part Ext. Retainer and 2Part Vandal - Assembly

PART NO
K1936/40/60/42

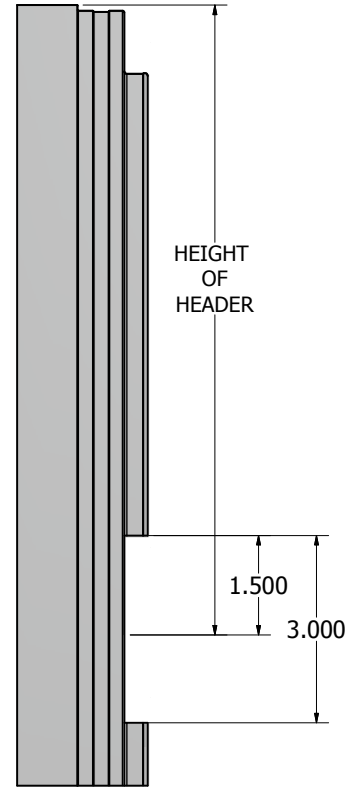
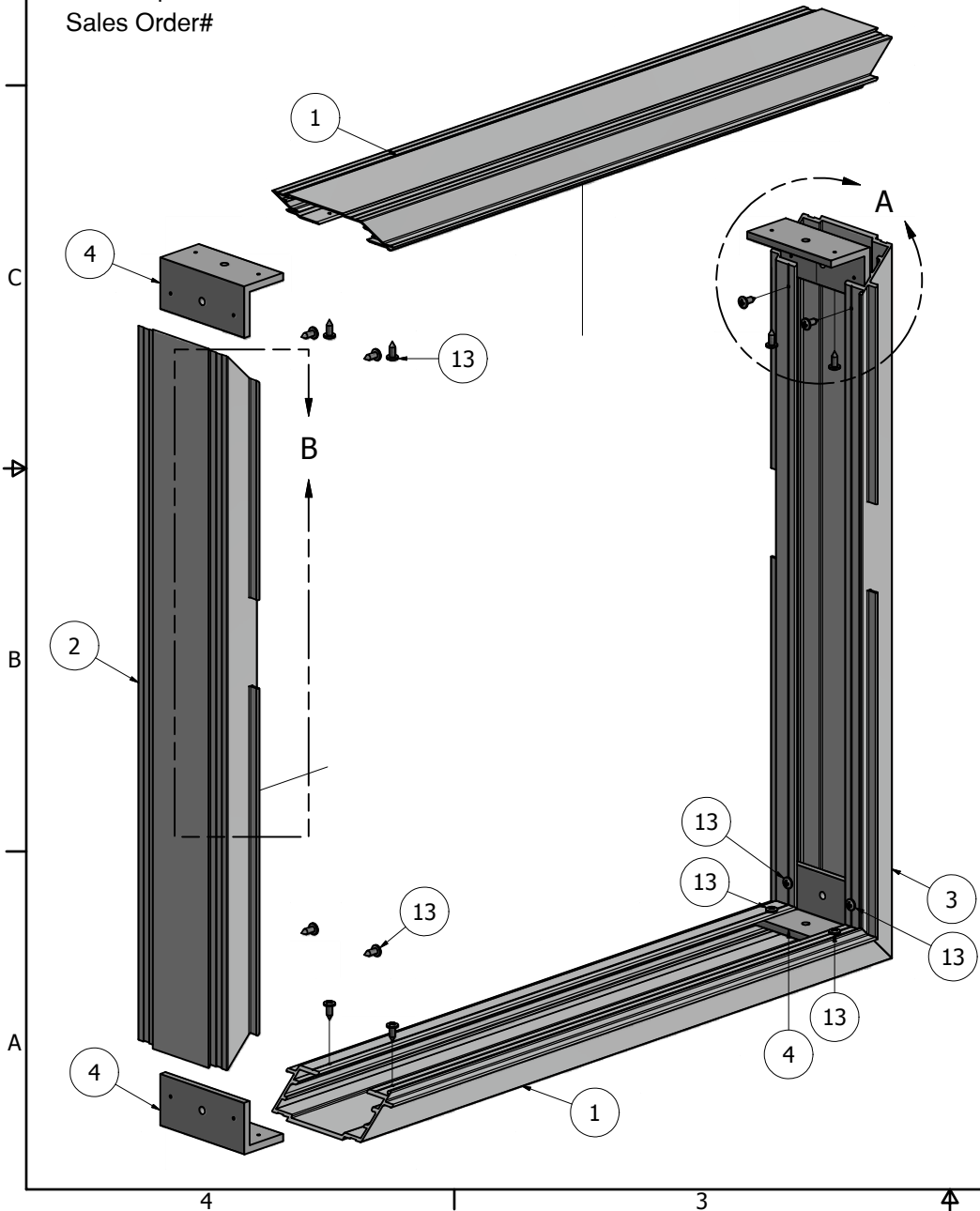
REV



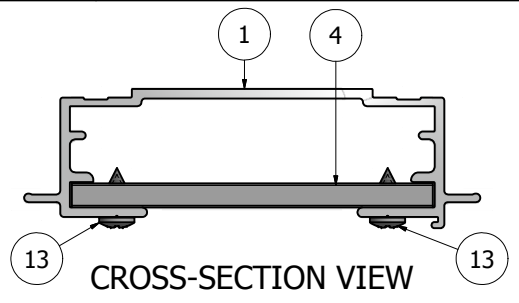
TOP CROSS-SECTION

PARTS LIST			
ITEM	PART#	DESCRIPTION	NOTES
1	1936	2Part 6in Double Face Body	Top & Bottom
2	1936	2Part 6in Double Face Body	Left Side - Notched
3	1936	2Part 6in Double Face Body	Right Side - Notched
4	5985	1Part 2Part 6in Double Face Body Corner Angle	
13	5218	Corner Angle Screw	Drill 5/32" pilot hole

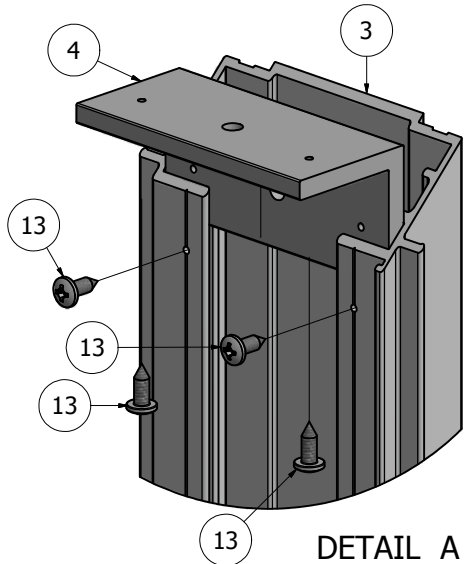
Ship To:
Sales Order#



DETAIL B



CROSS-SECTION VIEW

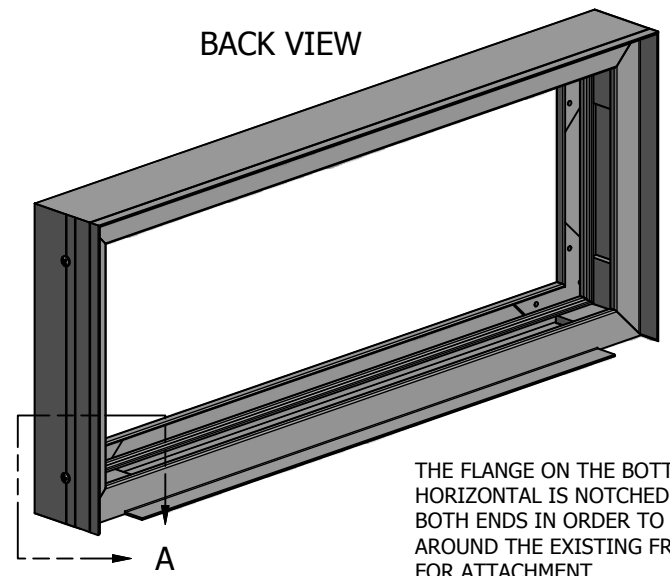
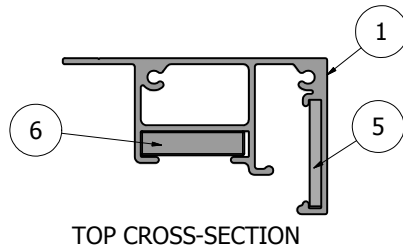


DETAIL A

NOTE: PRE-CUT KITS ARE NOT PRE-DRILLED.
(Holes shown in this drawing are for reference only.
Drilling of pilot holes are to be done by fabricator.)

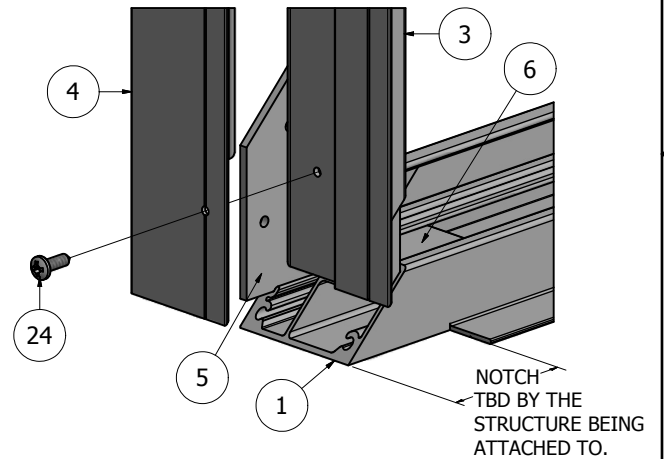
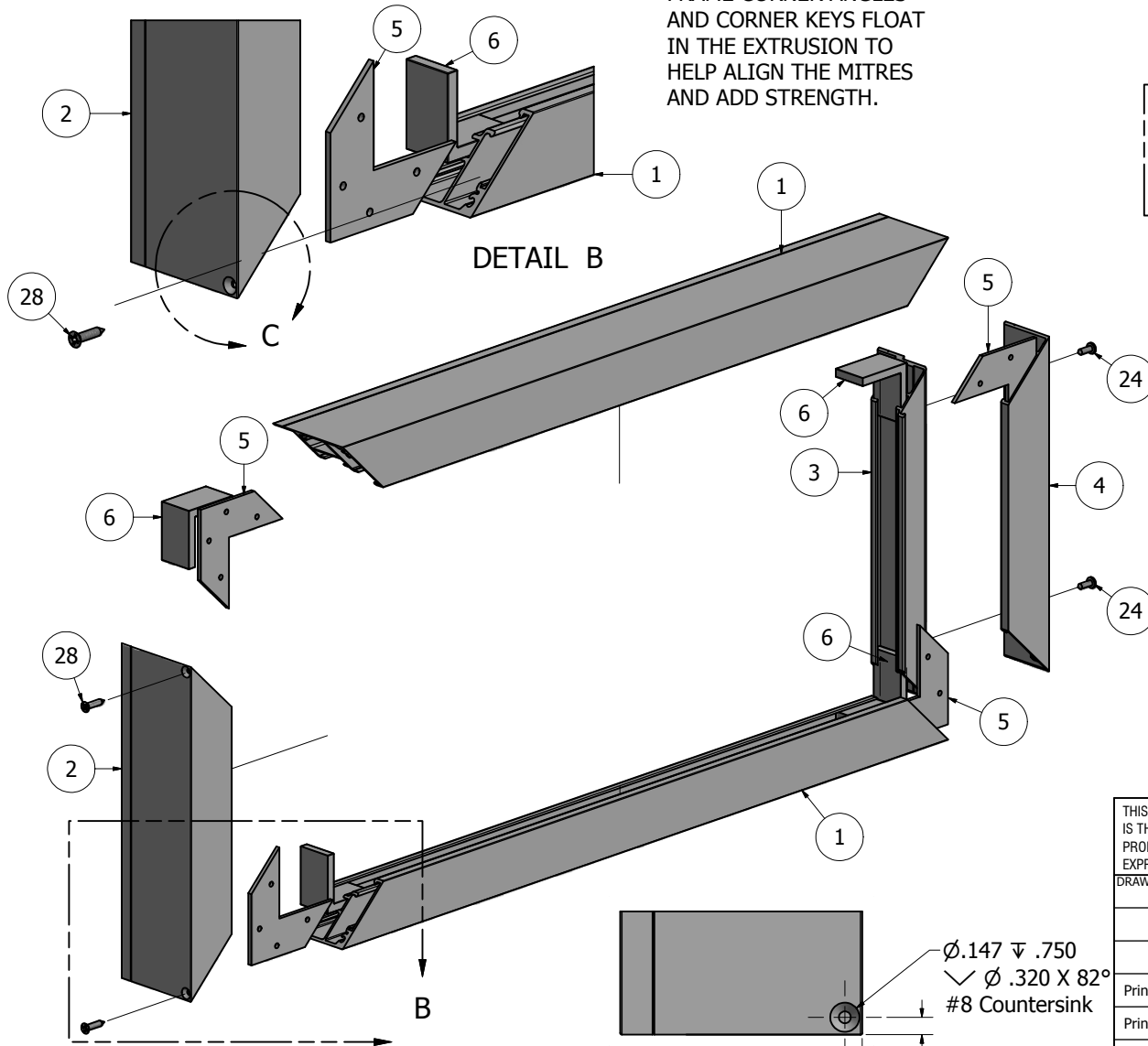
DRAWING BY: SBreihof 12/16/2013		SignComp	
Centroid X: 0.000 in	Centroid Y: 0.000 in		
Principal Moments Ix: 0.000 in ⁴	Principal Moments Iy: 0.000 in ⁴	TITLE 2Part 6in Double Face Body - Notched Assembly	
Section Modulus Ix: 0.000 in ³	Section Modulus Iy: 0.000 in ³	PART NO	REV
		K1936 - Header / Reader	
		SHEET 1 OF 1	

PARTS LIST			
ITEM	PART#	DESCRIPTION	NOTES
1	1940	2Part Ext. Retainer	Top & Bottom
2	1940	2Part Ext. Retainer	One Side
3	1955	2Part Ext. Frame	One Side
4	1944	2Part Retainer	One Side
5	5210	Corner Key	
6	5305	Frame Corner Angle	
24	5290	Retainer Screw	Drill 1/8" pilot hole
28	5241	Ext. Retainer Corner Screw	Drill #8 counter sink



FRAME CORNER ANGLES AND CORNER KEYS FLOAT IN THE EXTRUSION TO HELP ALIGN THE MITRES AND ADD STRENGTH.

THE FLANGE ON THE BOTTOM HORIZONTAL IS NOTCHED ON BOTH ENDS IN ORDER TO FIT AROUND THE EXISTING FRAME FOR ATTACHMENT.

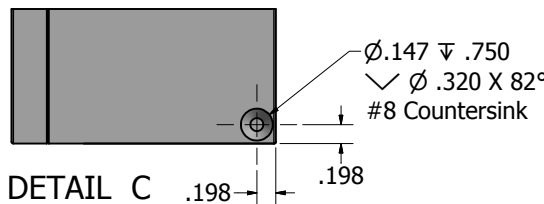


NOTE: PRE-CUT KITS ARE NOT PRE-DRILLED.
 (Holes shown in this drawing are for reference only.
 Drilling of pilot holes are to be done by fabricator.)

THIS DRAWING WAS CREATED AT NO CHARGE TO ASSIST YOU IN VISUALIZING OUR PROPOSAL. THE DRAWING HEREIN IS THE PROPERTY OF SIGNCOMP. PERMISSION TO COPY OR REVISE THIS DRAWING OR TO USE THIS DRAWING FOR PRODUCTION IS STRICTLY PROHIBITED AND CAN ONLY BE COPIED, REVISED OR USED FOR PRODUCTION WITH THE EXPRESSED WRITTEN PERMISSION OF SIGNCOMP.

DRAWN	SBreihof	6/26/2012
Centroid X:	0.000 in	
Centroid Y:	0.000 in	
Principal Moments Ix:	0.000 in ⁴	
Principal Moments Iy:	0.000 in ⁴	
Section Modulus Ix:	0.000 in ³	
Section Modulus Iy:	0.000 in ³	

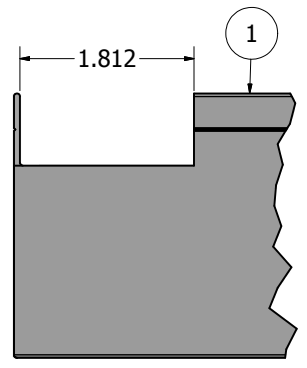
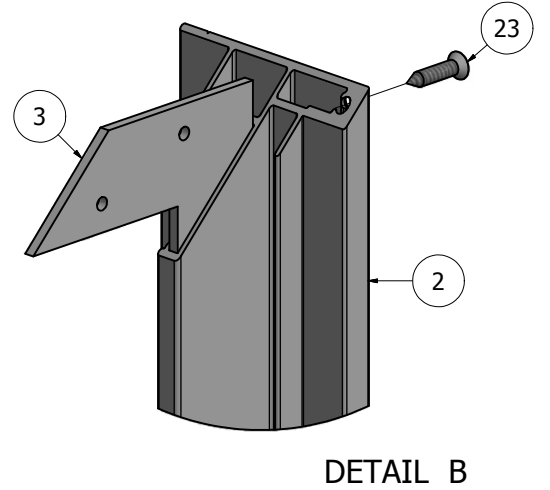
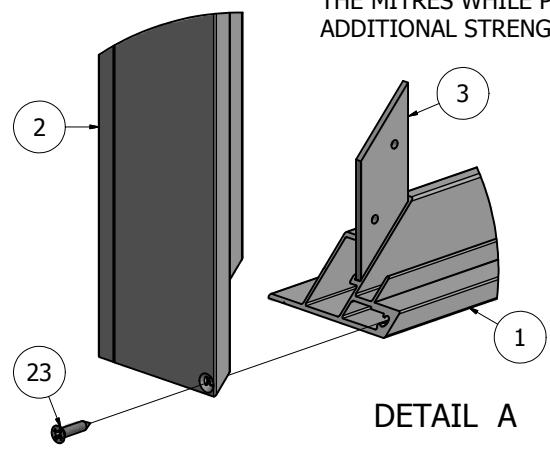
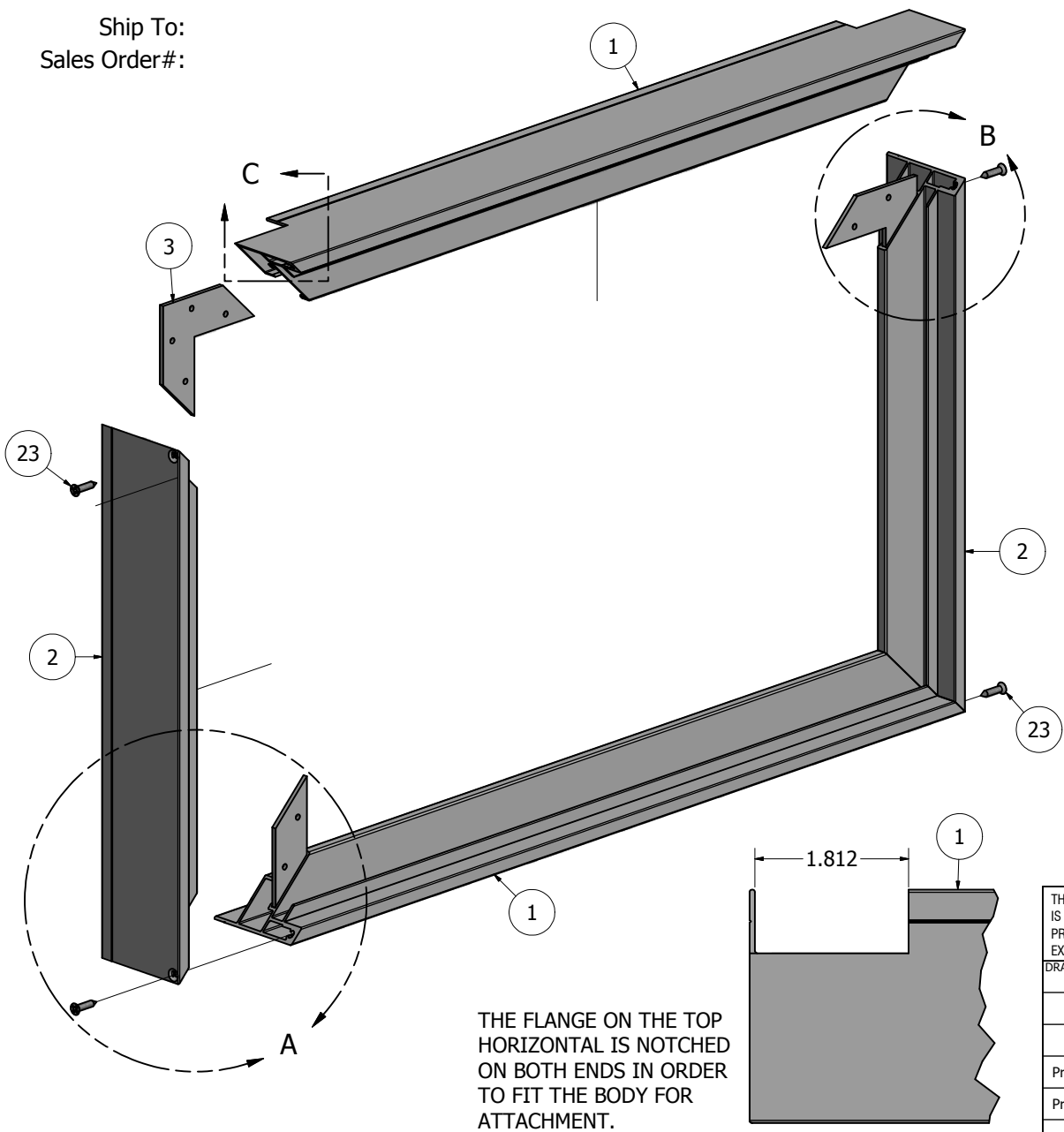
SignComp	
TITLE	
2Part Extended Retainer - Header	
DWG NO	REV
K1940 - Header	
SHEET 1 OF 1	



PARTS LIST			
ITEM	PART#	DESCRIPTION	NOTES
1	1960	2Part Inner Frame	Top & Bottom
2	1960	2Part Inner Frame	Sides
3	5210	Corner Key	
23	5241	Inner Frame Corner Screw	Drill a #8 counter sink

CORNER KEYS FLOAT IN THE FRAME HELPING TO ALIGN THE MITRES WHILE PROVIDING ADDITIONAL STRENGTH.

Ship To:
Sales Order#:

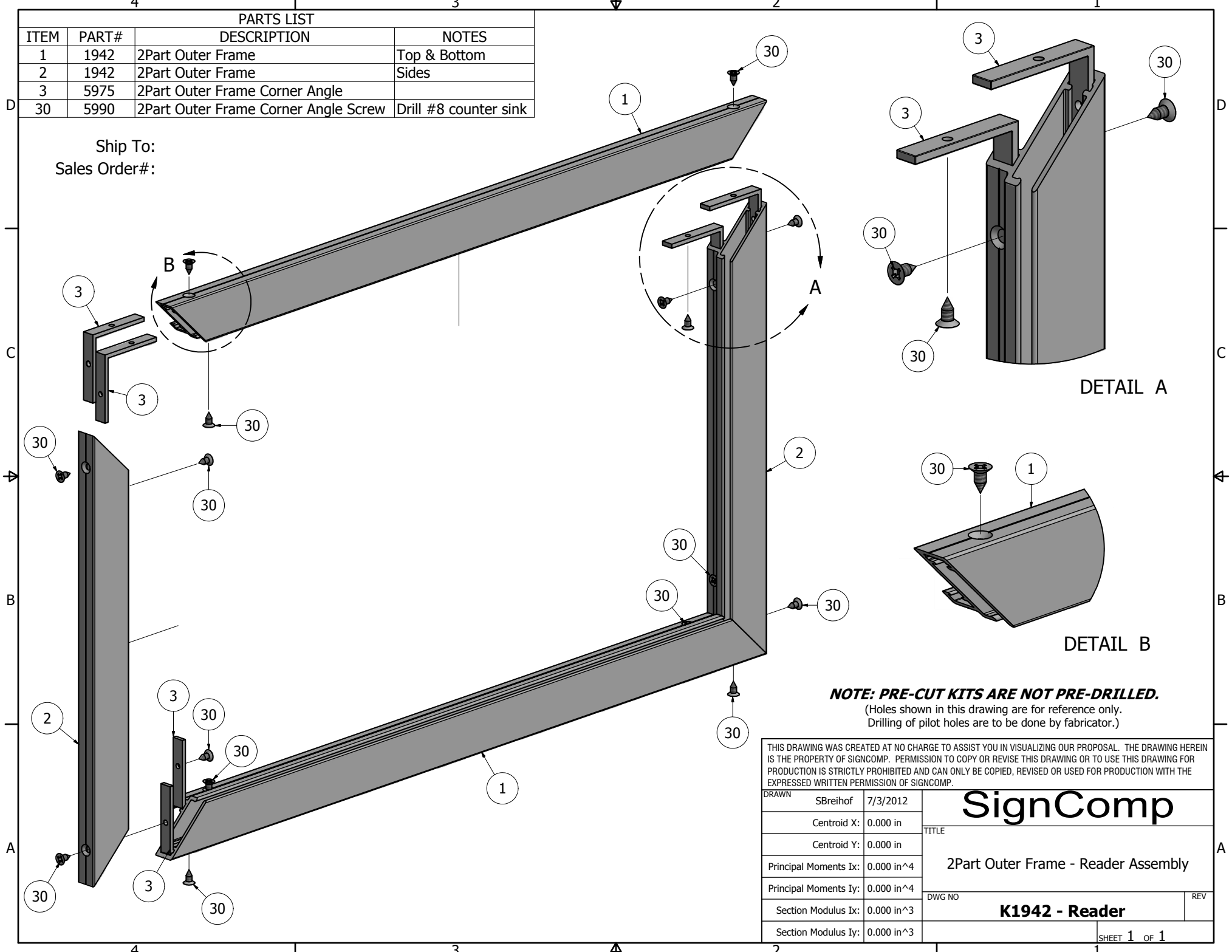


NOTE: PRE-CUT KITS ARE NOT PRE-DRILLED.
(Holes shown in this drawing are for reference only.
Drilling of pilot holes are to be done by fabricator.)

THIS DRAWING WAS CREATED AT NO CHARGE TO ASSIST YOU IN VISUALIZING OUR PROPOSAL. THE DRAWING HEREIN IS THE PROPERTY OF SIGNCOMP. PERMISSION TO COPY OR REVISE THIS DRAWING OR TO USE THIS DRAWING FOR PRODUCTION IS STRICTLY PROHIBITED AND CAN ONLY BE COPIED, REVISED OR USED FOR PRODUCTION WITH THE EXPRESSED WRITTEN PERMISSION OF SIGNCOMP.		
DRAWN	SBreihof	6/27/2012
Centroid X:	0.000 in	
Centroid Y:	0.000 in	
Principal Moments Ix:	0.000 in ⁴	
Principal Moments Iy:	0.000 in ⁴	
Section Modulus Ix:	0.000 in ³	
Section Modulus Iy:	0.000 in ³	
<h1 style="text-align: center;">SignComp</h1>		TITLE
		2Part Inner Frame - Reader - Assembly
DWG NO		REV
K1960 - Reader		
SHEET 1 OF 1		

PARTS LIST			
ITEM	PART#	DESCRIPTION	NOTES
1	1942	2Part Outer Frame	Top & Bottom
2	1942	2Part Outer Frame	Sides
3	5975	2Part Outer Frame Corner Angle	
30	5990	2Part Outer Frame Corner Angle Screw	Drill #8 counter sink

Ship To:
Sales Order#:



DETAIL A

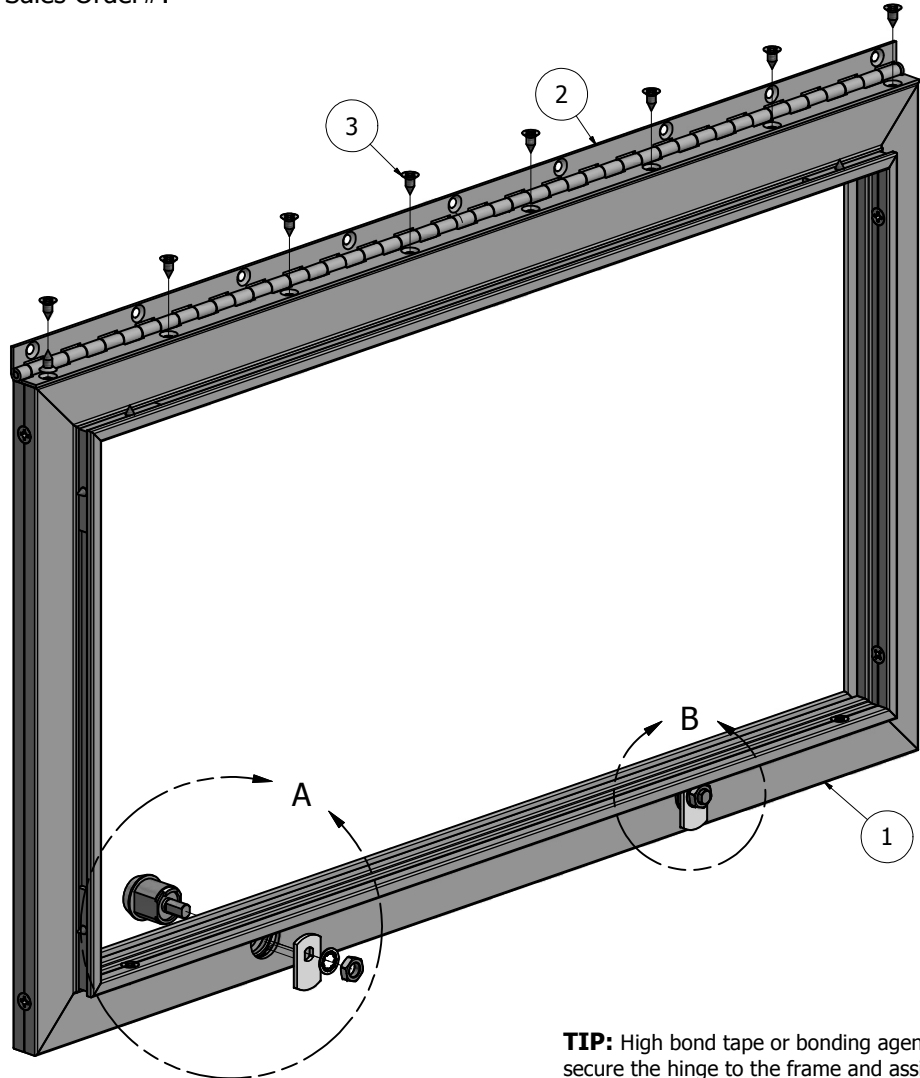
DETAIL B

NOTE: PRE-CUT KITS ARE NOT PRE-DRILLED.
(Holes shown in this drawing are for reference only.
Drilling of pilot holes are to be done by fabricator.)

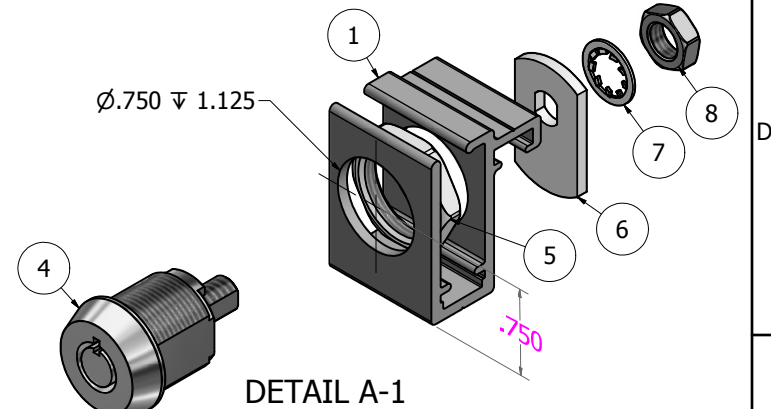
THIS DRAWING WAS CREATED AT NO CHARGE TO ASSIST YOU IN VISUALIZING OUR PROPOSAL. THE DRAWING HEREIN IS THE PROPERTY OF SIGNCOMP. PERMISSION TO COPY OR REVISE THIS DRAWING OR TO USE THIS DRAWING FOR PRODUCTION IS STRICTLY PROHIBITED AND CAN ONLY BE COPIED, REVISED OR USED FOR PRODUCTION WITH THE EXPRESSED WRITTEN PERMISSION OF SIGNCOMP.		
DRAWN	SBreihof	7/3/2012
Centroid X:	0.000 in	
Centroid Y:	0.000 in	
Principal Moments Ix:	0.000 in^4	
Principal Moments Iy:	0.000 in^4	
Section Modulus Ix:	0.000 in^3	
Section Modulus Iy:	0.000 in^3	
<h1 style="text-align: center;">SignComp</h1>		TITLE
		2Part Outer Frame - Reader Assembly
DWG NO		REV
K1942 - Reader		
SHEET 1 OF 1		

PARTS LIST			
ITEM	PART #	DESCRIPTION	NOTES
1	1942	2Part Outer Frame	
2	5996	2Part Hinge	
3		Hinge Fastener	1/8" Pop Rivet or #8 Counter Sunk Screw
4	5994	2Part Lock	Drill 3/4" Hole - See Detail "A"
5		Lock Nut	
6		Cam	
7		Lock Washer	
8		Cam Nut	

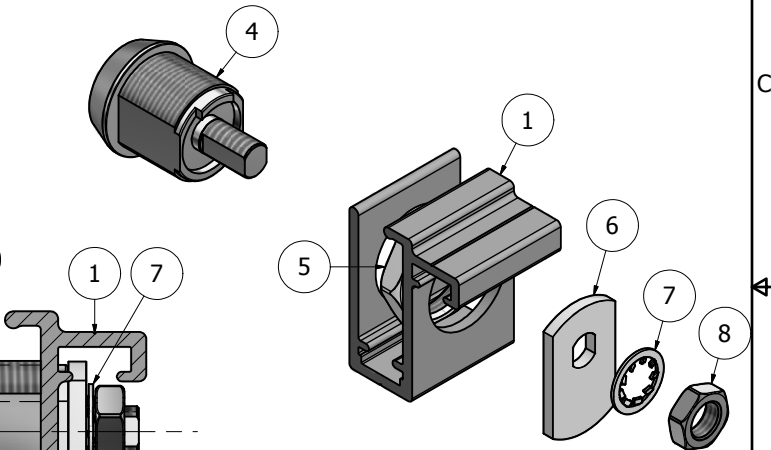
Ship To:
Sales Order#:



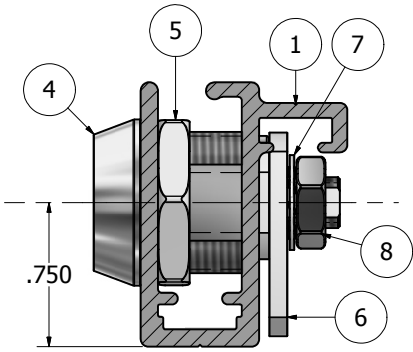
TIP: High bond tape or bonding agents can be used to help secure the hinge to the frame and assist in the installation of the hinge. Be careful not to get the tape on the barrel of the hinge. To do so may cause the hinge not to open properly.



DETAIL A-1



DETAIL A-2



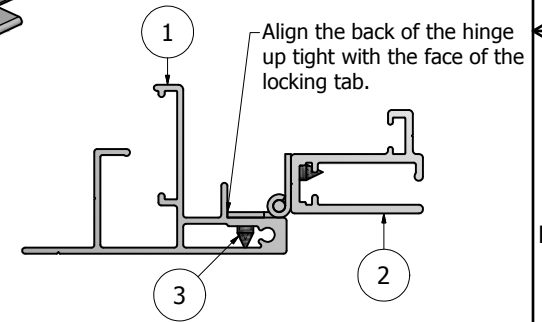
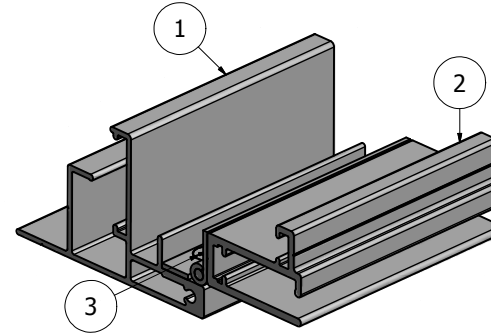
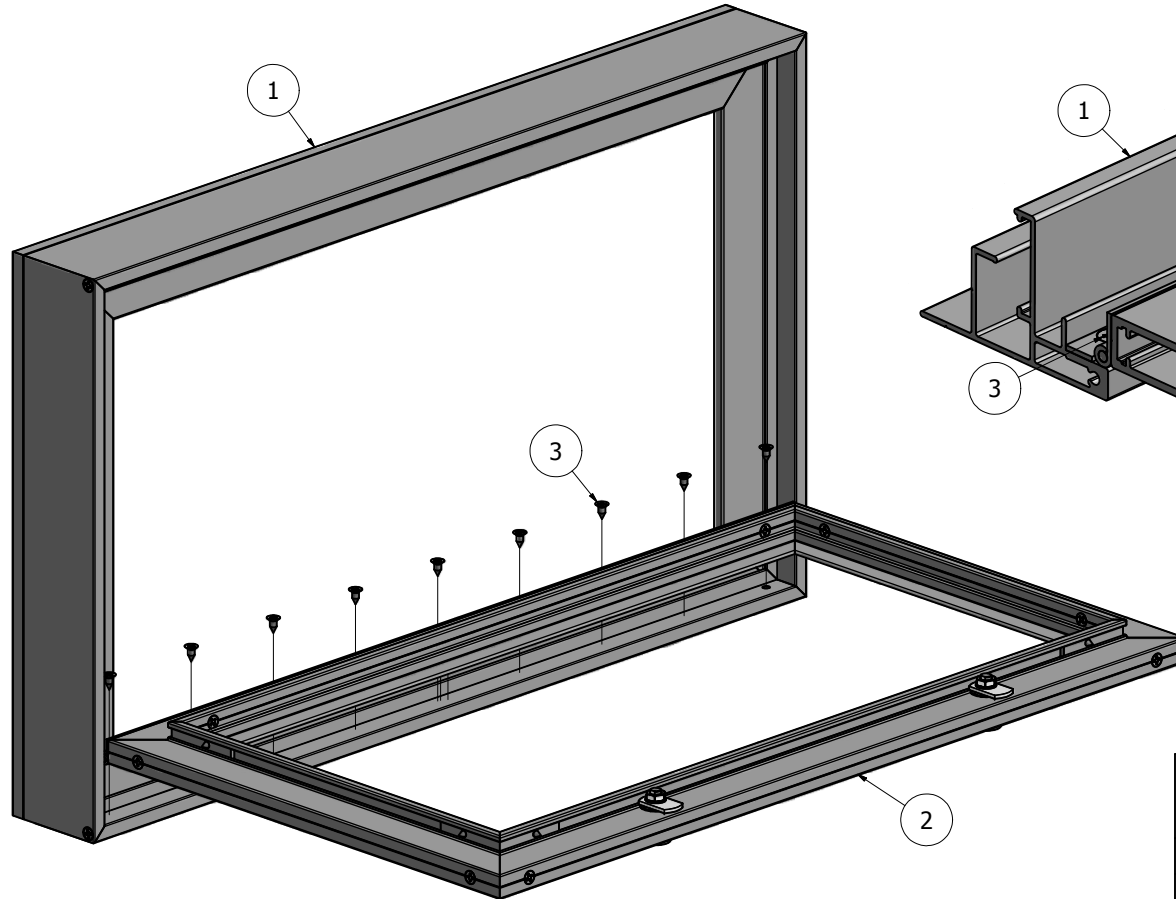
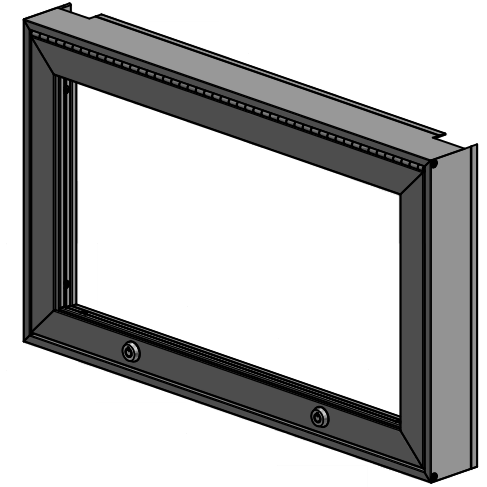
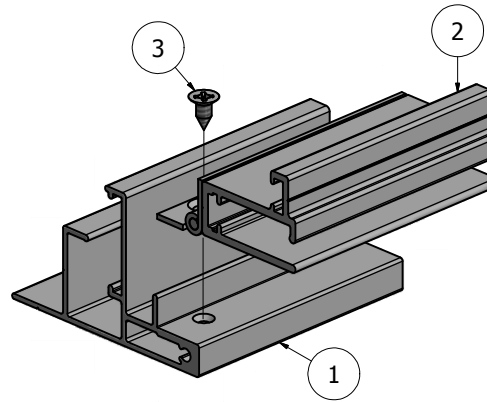
DETAIL B

NOTE: PRE-CUT KITS ARE NOT PRE-DRILLED.
(Holes shown in this drawing are for reference only. Drilling of pilot holes are to be done by fabricator.)

THIS DRAWING WAS CREATED AT NO CHARGE TO ASSIST YOU IN VISUALIZING OUR PROPOSAL. THE DRAWING HEREIN IS THE PROPERTY OF SIGNCOMP. PERMISSION TO COPY OR REVISE THIS DRAWING OR TO USE THIS DRAWING FOR PRODUCTION IS STRICTLY PROHIBITED AND CAN ONLY BE COPIED, REVISED OR USED FOR PRODUCTION WITH THE EXPRESSED WRITTEN PERMISSION OF SIGNCOMP.			<h1>SignComp</h1>	
DRAWN	SBreihof	6/29/2012		
Centroid X:	0.000 in		2Part Outer Frame - 2Part Hinge - 2Part Lock - Reader Assembly	
Centroid Y:	0.000 in		DWG NO	REV
Principal Moments Ix:	0.000 in^4		K1942-5996-5994 Reader	
Principal Moments Iy:	0.000 in^4			
Section Modulus Ix:	0.000 in^3			
Section Modulus Iy:	0.000 in^3			
			SHEET 1 OF 1	

PARTS LIST			
ITEM	PART#	DESCRIPTION	NOTES
1	K1960	2Part Inner Frame	Assembly
2	K1942	2Part Outer Frame	Assembly
3		Hinge Fastener	1/8" Pop Rivet or #8 Counter Sunk Fastener

Ship To:
Sales Order#:



NOTE: PRE-CUT KITS ARE NOT PRE-DRILLED.
(Holes shown in this drawing are for reference only.
Drilling of pilot holes are to be done by fabricator.)

THIS DRAWING WAS CREATED AT NO CHARGE TO ASSIST YOU IN VISUALIZING OUR PROPOSAL. THE DRAWING HEREIN IS THE PROPERTY OF SIGNCOMP. PERMISSION TO COPY OR REVISE THIS DRAWING OR TO USE THIS DRAWING FOR PRODUCTION IS STRICTLY PROHIBITED AND CAN ONLY BE COPIED, REVISED OR USED FOR PRODUCTION WITH THE EXPRESSED WRITTEN PERMISSION OF SIGNCOMP.

DRAWN	SBreihof	7/2/2012	SignComp
Centroid X:	0.000 in		
Centroid Y:	0.000 in		TITLE
Principal Moments Ix:	0.000 in ⁴		2Part Inner Frame - 2Part Outer Frame - Reader Assembly
Principal Moments Iy:	0.000 in ⁴		DWG NO
Section Modulus Ix:	0.000 in ³		K1960/42
Section Modulus Iy:	0.000 in ³		REV

TIP: High bond tape or bonding agents can be used to help secure the hinge to the frame and assist in the installation of the hinge. Be careful not to get the tape on the barrel of the hinge. To do so may cause the hinge not to open properly.